

15122023-2.0



OPERATION MANUAL

LIFTING BRACKETS

G209, G210, G2130, G2150



1. Description and operation	3
1.1 Product purpose	3
1.2 Main characteristics	3
2. WARRANTY	6

1. Description and operation

1.1 Product purpose

D-ring and straight section lifting brackets of type G209 G210 G2130 G2150 have holes for mounting the load pin and the pin itself in the form of a bolt with a nut or screwed into the body of the bracket. At the base of the bolt there is a hole to place the pin, preventing spontaneous unscrewing and drop-off of the nut (G2130, G2150).

Lifting brackets are used as connectors for rope and chain branches, as well as connecting elements between the fastening points on load and load handling devices of the lifting mechanism. Quick mounting and dismounting of the lifting brackets make them very popular devices used in the production of load-lifting and rigging works.

Lifting brackets are made of alloy steel with quenching and have strength factor 4:1. The surface of the brackets is galvanized.

1.2 Main characteristics

D-ring bracket with nut and rin G2130

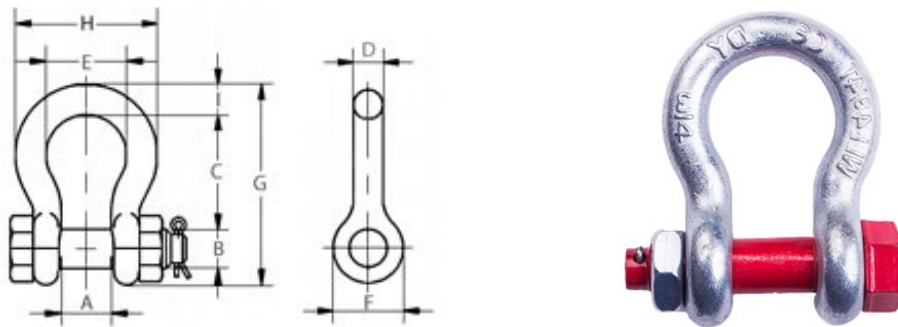


Fig. 1. Diagram of lifting bracket G2130.

Main specifications of bracket G2130 are listed in the following table:

Item	Load capacity. t	Internal size (A). mm	Internal arc (E). mm	Size (D)	Bolt diameter (B). mm	Inner length (C). mm	Eyelet outside (F). mm	Weight. kg
1230206	2	21	33	1/2"	16	48	30	0.4
12303256	3.25	27	43	5/8"	19	60	40	0.7
123046	4.75	32	51	3/4"	22	71	48	1.3
1236506	6.5	36	58	7/8"	25	84	54	1.8
1238506	8.5	43	68	1"	29	95	60	2.5
1239506	9.5	46	74	1.1/8"	32	108	67	3.5
1231206	12	52	82	1.1/4"	35	119	76	5.0
1231356	13.5	57	92	1.3/8"	38	133	84	6.8
1231706	17	60	98	1.1/2"	41	146	92	8.8
1232506	25	73	127	1.3/4"	51	178	110	14.1
1233506	35	83	146	2"	57	197	127	20.8
1001434	55	105	184	2.1/2"	70	267	152	42.3

D-ring bracket G209

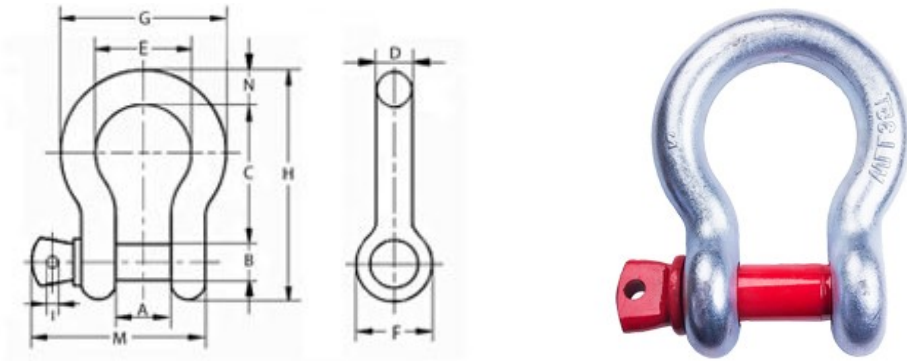


Fig. 2. Diagram of lifting bracket G209.

Main specifications of bracket G209 are listed in the following table:

Item	Load capacity. t	Internal size (A). mm	Internal arc (E). mm	Size (D)	Bolt diameter (B). mm	Inner length (C). mm	Eyelet outside (F). mm	Weight. kg
1230204	2	21	33	1/2"	16	48	30	0.3
1233254	3.25	27	43	5/8"	19	60	40	0.7
1234754	4.75	32	51	3/4"	22	71	48	1.0
1236504	6.5	36	58	7/8"	25	84	54	1.5
1238504	8.5	43	68	1"	29	95	60	2.4
1239504	9.5	46	74	1.1/8"	32	108	67	3.2
1231204	12	52	82	1.1/4"	35	119	76	4.3
1231354	13.5	57	92	1.3/8"	38	133	84	5.7
1231704	17	60	98	1.1/2"	41	146	92	7.8
1232504	25	73	127	1.3/4"	51	178	110	12.5
1233504	35	83	146	2"	57	197	127	18.5

Straight bracket G2150

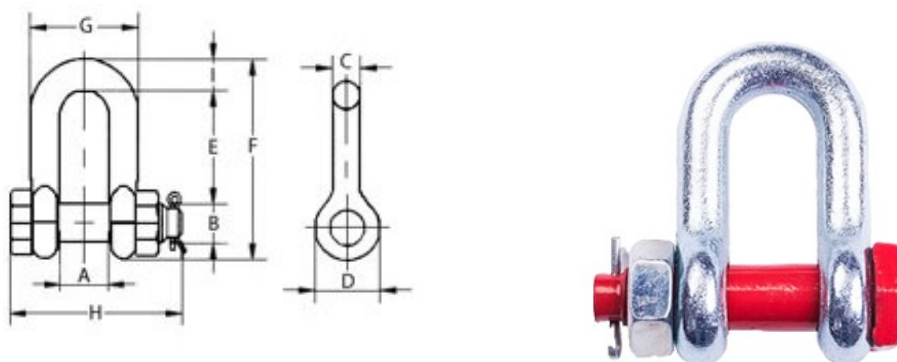


Fig. 3. Diagram of lifting bracket G2150.

Main specifications of bracket G2150 are listed in the following table:

Item	Load capacity. t	Internal size (A). mm	Size (D)	Bolt diameter (B). mm	Inner length (C). mm	Eyelet outside (F). mm	Weight. kg
1230204	2	21	1/2"	16	41	30	0.3
1233254	3.25	27	5/8"	19	51	40	0.7
1234754	4.75	32	3/4"	22	60	48	1.2
1236504	6.5	36	7/8"	25	71	54	1.6
1238504	8.5	43	1"	29	81	60	2.4
1239504	9.5	46	1.1/8"	32	90	67	3.3
1231204	12	52	1.1/4"	35	100	76	4.6
1231354	13.5	57	1.3/8"	38	113	84	6.0
1231704	17	60	1.1/2"	41	124	92	8.3
1232504	25	73	1.3/4"	51	146	110	12.8
1233504	35	83	2"	57	171	127	18.5

Straight bracket G210

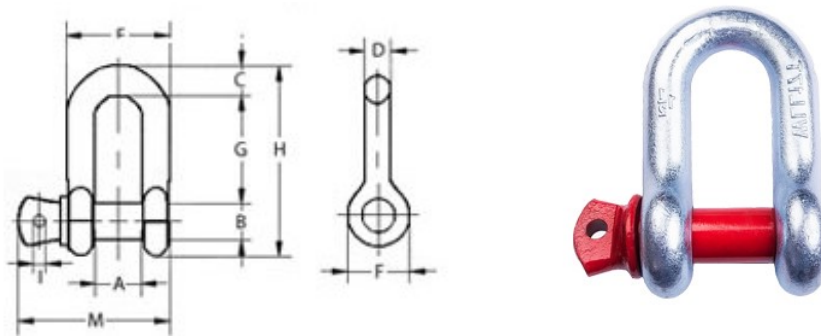


Fig. 4. Diagram of lifting bracket G210.

Main specifications of bracket G210 are listed in the following table:

Item	Load capacity. t	Internal size (A). mm	Size (D)	Bolt diameter (B). mm	Inner length (C). mm	Eyelet outside (F). mm	Weight. kg
1230204	2	21	1/2"	16	41	30	0.3
1233254	3.25	27	5/8"	19	51	40	0.7
1234754	4.75	32	3/4"	22	60	48	1.0
1236504	6.5	36	7/8"	25	71	54	1.4
1238504	8.5	43	1"	29	81	60	2.0
1239504	9.5	46	1.1/8"	32	90	67	3.0
1231204	12	52	1.1/4"	35	100	76	4.0
1231354	13.5	57	1.3/8"	38	113	84	5.4
1231704	17	60	1.1/2"	41	124	92	7.3
1232504	25	73	1.3/4"	51	146	110	11.3
1233504	35	83	2"	57	171	127	16.2

2. WARRANTY

The warranty period is 3 months from the date of sale to the end customer.

LIMITATION OF LIABILITY:

- Seller will not be liable for product failures caused by use and normal wear and tear.

- The Seller is not responsible for product malfunctions caused by non-observance of operating rules or use of the Product under unacceptable environmental conditions.

- The warranty will be voided if the Product is not regularly serviced and if it is improperly stored.

- This warranty will not be extended to any Product that has been subject to misuse, neglect or accident or which will have been altered or repaired by elements other than Seller's in such a manner as to adversely affect its performance, stability or reability.

- The warranty does not cover the Product that has suffered any mechanical damage.

- The warranty does not apply to a Product that has been altered in any way.

In order to determine the causes of failure, a technical check is carried out for a period of 10 working days from the date of receipt of the Product for diagnosis.

Claims filing:

- Claims concerning found defects can be issued by the Buyer to the Seller within the guarantee period. The Buyer may request a claim form and instructions for filing a claim from the Seller.

- All risks associated with delivery of the Product to the dealer or service center are borne by the owner of the Product.

- Claims related to incompleteness and appearance of the Product will not be accepted after it has been put into operation.



The information in this paragraph is current at the time of printing of this manual. Up-to-date information on warranty service rules is published on the official website of the group of companies TOR INDUSTRIES **www.tor-industries.com** ("Service" section).

PRODUCT PASSPORT

Product Information:

Model			
Serial No.			
Sale Date		/	
Warranty Period			

Seller Information:

Company			
Address			
Phone			

SERVICE MARKS

Place for Stamp	All control operations and tests have been carried out. The product is fully equipped, serviceable and ready for use.		
	Dated:		

Maintenance and repair

Type of Maintenance						
Type of Maintenance						
Type of Maintenance						
Type of Maintenance						
Warranty Repair						
Repair						
Date of Maintenance						
Contractor						

The customer confirms that he has familiarized himself with the rules of use of the product. The customer received the manual in English. The customer has no claims to the serviceability, appearance and completeness of the product.

Customer
Signature _____

Place for Stamp